

Auto-Darkening Filter Welding Helmet

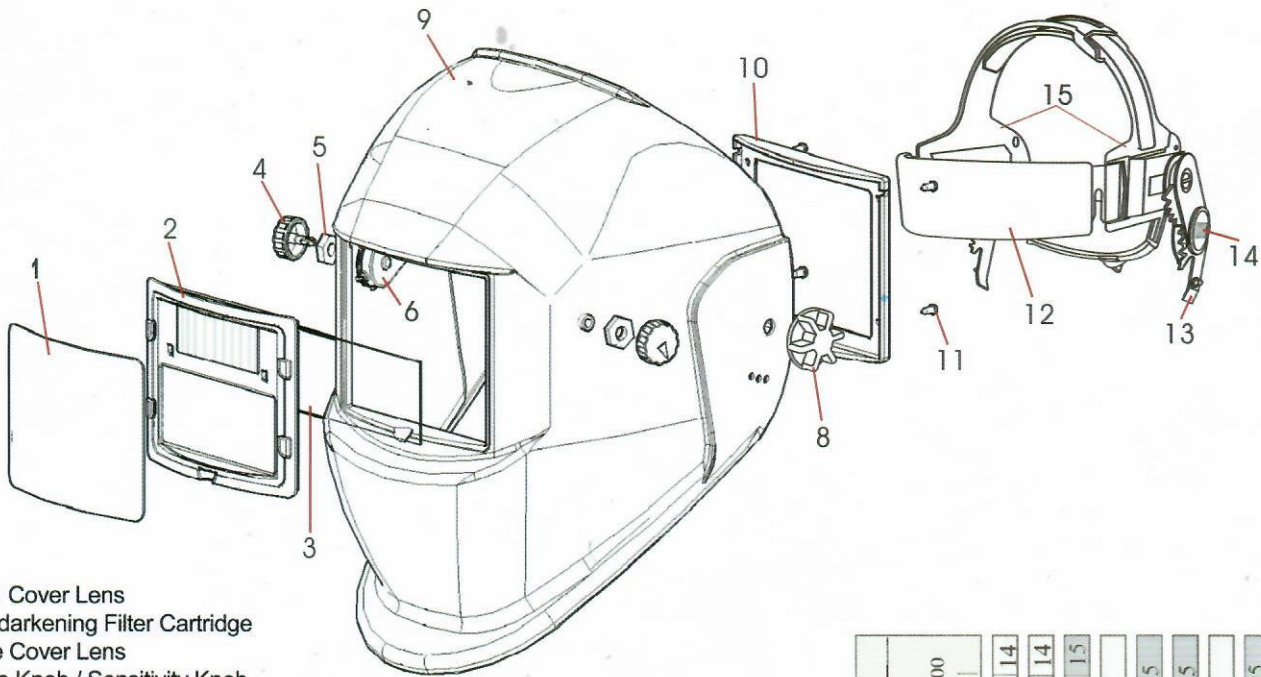
User's Manual



high-class



S998c



1. Front Cover Lens
2. Auto-darkening Filter Cartridge
3. Inside Cover Lens
4. Shade Knob / Sensitivity Knob
5. 2xShade Nut
6. Shade-box/ Sensitivity-box
9. Shell (Welding Mask)
11. 4xFilter Setting Screw
13. 2xAdjustable Limitation Washer
15. Adjustable Headband

8. 2 x Block Nut
10. Filter Setting Frame
12. Front Headband
14. 2 x Screw

275	350	450			
250	300	400	500		
				13	14
				13	14
				13	14
					14
				14	15
				12	13
				14	15
					13
					14
					15

Welding (GTAW)(TIG).
 * PAW-Plasma Arc Welding.